

1.3 Power analysis in three-phase circuits

JUAN MANUEL REY LÓPEZ
Profesor Auxiliar
juanmrey@uis.edu.co

Escuela de Ingenierías Eléctrica, Electrónica y de
Telecomunicaciones
Universidad Industrial de Santander

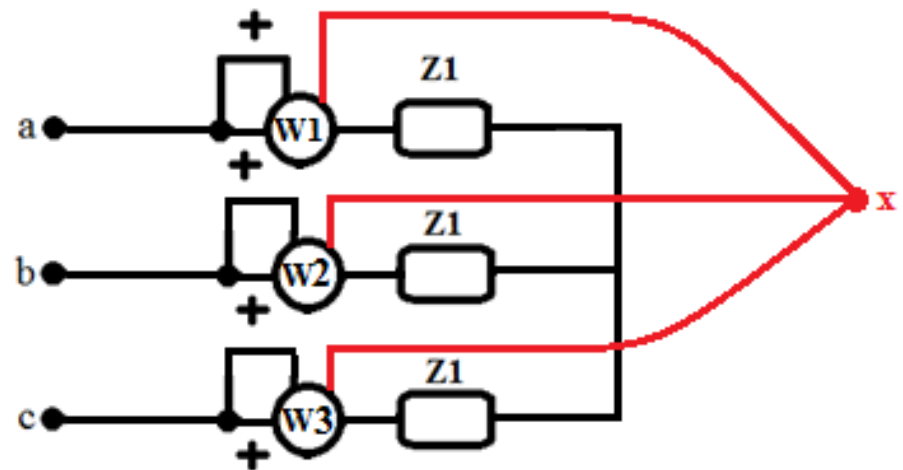
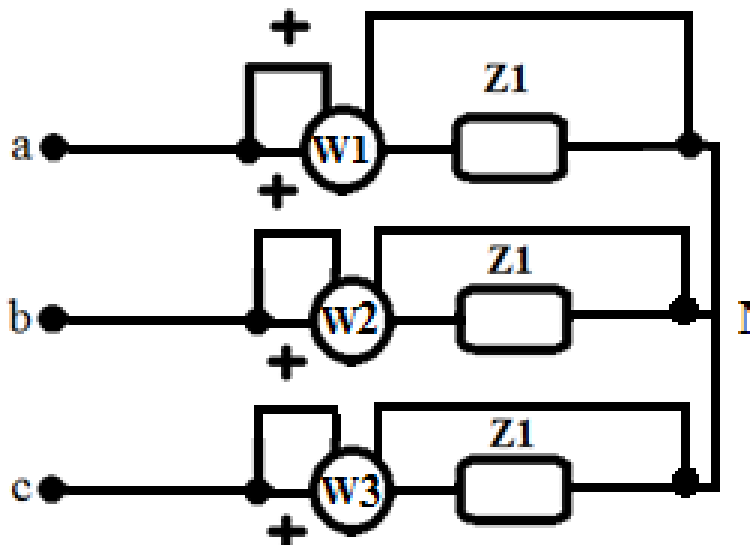


I - 2015

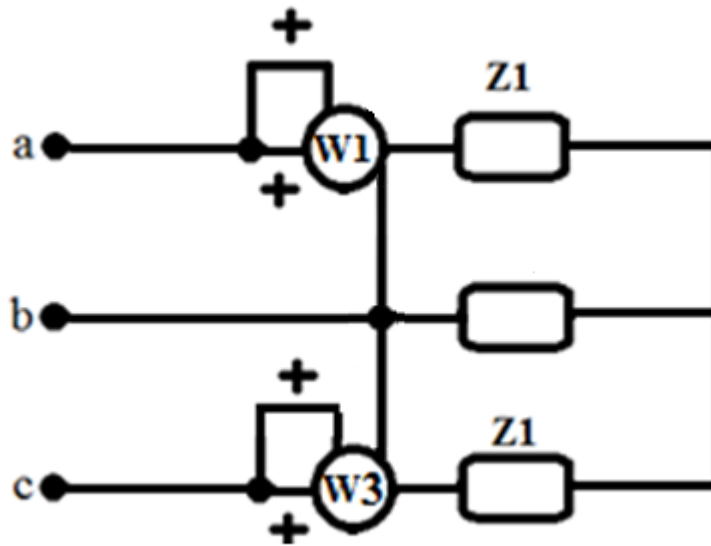


Homework

How does the two-meter wattmeter method works?



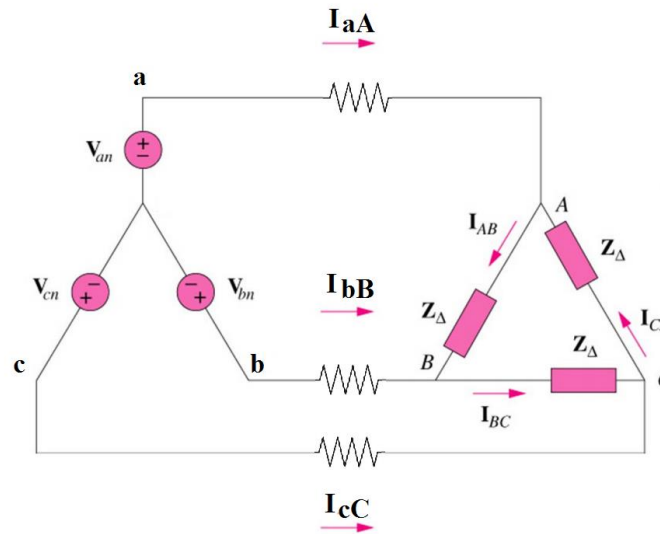
Two-meter wattmeter method



¿ $W1 + W3$?
¿ $W3 - W1$?

Example 1

In the balanced three-phase circuit of the figure R_w is equal to 4Ω . The load consumes an apparent three-phase power of $2400+2100j$ VA and the lines losses are 300 W. Find: a) I_{aA} b) I_{AB} c) V_{an} .



Example 2

→ Exercise 1 – Homework 1

→ Exercise 2 – Homework 1



Thank you for your attention

C O N S T R U I M O S F U T U R O

Universidad
Industrial de
Santander

